

All Stainless Steel Pressure Gauge

Bourdon Type (DIN Case)

TP25

Special Features

Stainless Steel case & Measuring System
Socket Directly Welded to Case
Protection IP 65/ IP 66
Dry or Fillable Version
Accuracy UPTO 0.5%
Standard Followed in General EN 837-1

Applications

Food and Beverage, Pharmaceutical, Cryogenics,
Chemical and Petrochemical Industries,
Conventional and Nuclear Power Plants, Pumps,
Hydro-cleaning machines, Presses, Engine
Compressors, Turbines, Diesel Engines and
Refrigerating Plants.

Suitable for corrosive environments and gaseous or
liquid media that will not obstruct the pressure
system.



STANDARD VERSION

Nominal Size: 63mm
100mm
150mm

Accuracy class	1,0 for NS 100 & 150 mm 1,6 for NS 63 mm
Ambient temperature	- 25°C to + 65°C
Process temperature	Max 300°C
Operating pressure	75% of scale value
Over pressure limit	≤ 100 bar : 125% of max. scale value > 100 to ≤ 600 bar : 115% of max. scale value > 600 to ≤ 1600 bar : 110% of max. scale value
Case & Bezel	AISI 304 SS (Bayonet type)
Bourdon	AISI 316L SS
Socket	AISI 316L SS (Directly welded to case)
Movement	AISI 304 SS
Joints	Tig argon arc welding
Protection	IP 65
Dial	Aluminium, black graduation on white background
Pointer	Aluminium, black coloured micrometer zero adjustable
Window	Sheet glass
Blow off disc	Neoprene
Gasket & filling plug	Neoprene 12/19

DRY BUT FILLABLE VERSION

Fillable dampening liquid	Glycerine 98% (Option - FG)
Process temperature	Maximum 65°C
Window	Plexi glass
Other features	Refer specification of standard version

GLYCERINE FILLED VERSION

Accuracy	±1.0% of F.S.
Ambient temperature	Maximum 65°C
Process temperature	Maximum 65°C
Window	Plexi glass
Dampening liquids	Glycerine 98% (others available as option)
Other features	Refer specification of standard version

TAG
Technology UK Ltd

TAG TECHNOLOGY UK LTD

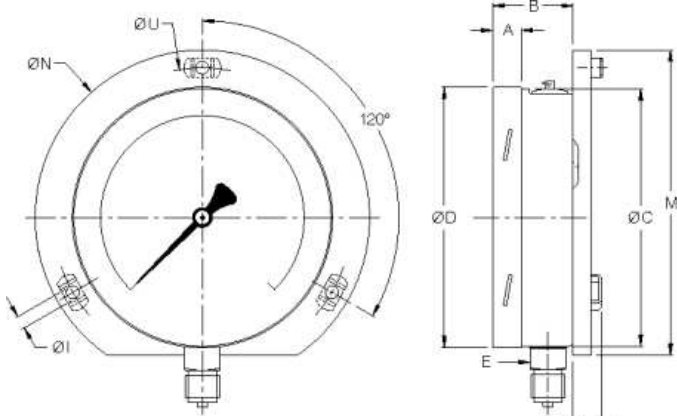
Instrument House PO Box 757 Altrincham
Cheshire UK WA15 5BT

T: +44 (0)161 652 7741

E: sales@tagtechnology.co.uk

W: www.tagtechnology.co.uk

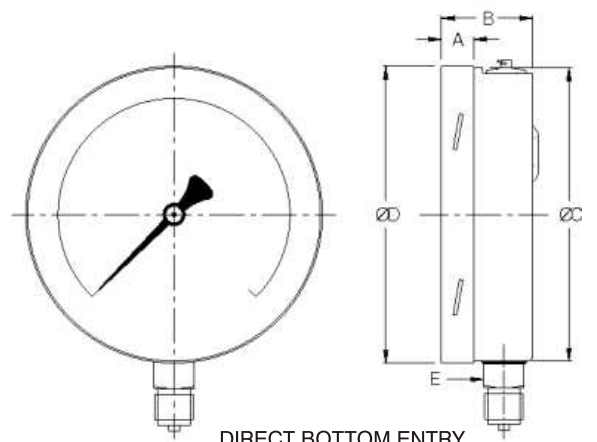
TYPE 1



WALL / SURFACE / PROJECTION MOUNTING WITH BOTTOM ENTRY

NS	A	B	ØC	ØD	E	F	ØI	ØN	ØU	M	Weight in gram (With Box)
63	12	32	61.7	64	14	10	3.6	86	75	80	260.0
100	17.5	49	99	101	22	15	4.8	132	116	128	645.0
150	17.5	51.5	159	162	22	15	5.8	196	178	188	1280.0

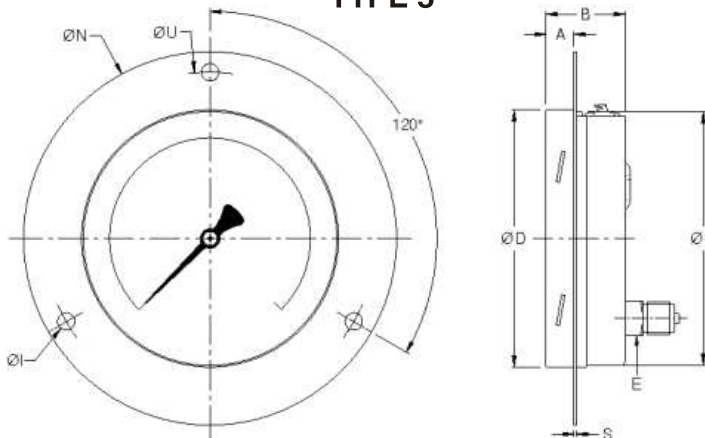
TYPE 2



DIRECT BOTTOM ENTRY

NS	A	B	ØC	ØD	E	Weight in gram (With Box)
63	12	32	61.7	64	14	200.0
100	17.5	49	99	101	22	560.0
150	17.5	51.5	159	162	22	1100.0

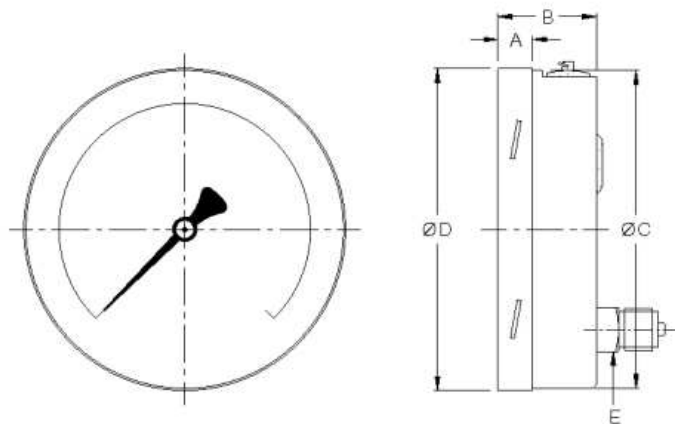
TYPE 5



LOWER BACK ENTRY WITH FRONT FLANGE

NS	A	B	ØC	ØD	E	ØI	ØN	ØU	S	Weight in gram (With Box)
63	12	32	61.7	64	14	3.6	86	75	1	250.0
100	17.5	49	99	101	22	4.8	132	116	1	630.0
150	17.5	51.5	159	162	22	5.8	196	178	1	1180.0

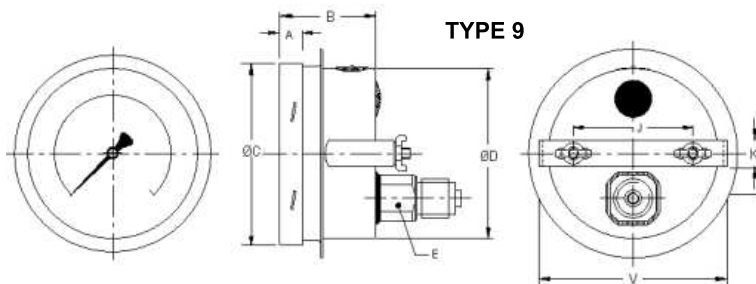
TYPE 3



DIRECT LOWER BACK ENTRY

NS	A	B	ØC	ØD	E	Weight in gram (With Box)
63	12	32	61.7	64	14	200.0
100	17.5	49	99	101	22	550.0
150	17.5	51.5	159	162	22	1060.0

TYPE 9



BACK ENTRY WITH MOUNTING BRACKET

NS	A	B	ØC	ØD	E	J	K	V	Weight in gram (With Box)
63	12	32	61.7	64	14	46.5	15	74	280.0
100	12.5	49	101	99	22	66.5	16	106	750.0
150	17.5	51.5	162	159	22	103.5	16	158	1220.0

HOW TO ORDER

BASIC MODEL

CODE

NOMINAL SIZE

D	F	H
63 mm	100 mm	150 mm

GAUGE CONNECTION (* Applicable for NS 63 mm.)

1/4" BSP (M) STANDARD*	1/4" NPT (M) STANDARD*	1/2" BSPT (M)
3/8" BSP (M) STANDARD	1/2" NPT (M) STANDARD	M 20 x 1.5 (M)
1/2" BSP (M) STANDARD		

Note : Connections like Metric/ PT/ PF/ Flaired/ UNF/ G/ R etc can be provided on request.

RANGE

REFER RANGE TABLE

OPTIONAL EXTRAS

ACCURACY \pm 0.5% OF F.S. (DRY VERSION & MAXIMUM READING POINTER)	SS TAG PLATE
MONEL BOURDON & SOCKET (MONEL VERSION)**#	DIAL TAG MARKING#
INTEGRAL DAMPENING SCREW (MONEL)**	HELIUM LEAK TEST
FILLABLE LIQUID SILICON OIL*	TESTED TO NACE STANDARDS
FILLABLE LIQUID GLYCERINE	FIVE POINT FACTORY CALIBRATION CERTIFICATE
DAMPENING LIQUID MINERAL LIQUID FILLED	OXYGEN SERVICE (DRY VERSION)
DAMPENING LIQUID FLOUROLUBE FILLED	CUSTOM DESIGNED DIAL
DAMPENING LIQUID GLYCERINE FILLED	INTEGRAL DAMPENING SCREW (AISI 316 SS)
DAMPENING LIQUID SILICON OIL FILLED*	INTERNAL OVERPRESSURE STOP
ENCLOSURE PROTECTION IP 66	INTERNAL VACUUM STOP
ENCLOSURE PROTECTION IP 67	RECEIVER RANGE
PLEXI GLASS	FREON RANGE (WITH TEMPERATURE SCALE)
SHATTERPROOF/SAFETY GLASS	AMMONIA RANGE (WITH TEMPERATURE SCALE)
TOUGHENED GLASS	EPOXY PAINTED CASE & BEZEL
MOVEMENT WITH DAMPENING JELLY	ELECTRO POLISHED CASE & BEZEL
MAXIMUM READING POINTER WITH PLEXI GLASS	ON - OFF TYPE VENT PLUG
FIXED POINTER	MATERIAL TEST CERTIFICATES***
OVER RANGE PROTECTION 150% OF F. S.	CALIBRATION CERTIFICATE TRACEABLE TO NATIONAL/ INTERNATIONAL STANDARDS

#For NS 100 mm & 150 mm

* Gasket, BOD & Filling plug of NBR. Consult factory for Viton.

**INTEGRAL DAMPENING SCREW WILL BE IN MONEL IF ORDERED. REFER OPTION FL.

*** MATERIAL TEST CERTIFICATES WILL BE PROVIDED FOR WETTED PARTS ONLY WITH CHEMICAL COMPOSITION TESTING. FOR OTHERS, PLEASE CONSULT FACTORY.

FOR OTHER OPTIONAL ITEMS, PLEASE CONTACT FACTORY FOR DELIVERY AND MINIMUM QUANTITY OF ORDER.