

All Stainless Steel Pressure Gauge

Bourdon Type

TP04

Special Features

Stainless Steel Case & Measuring System
Rugged Construction
Dry or liquid filled
Standard Followed in General EN 837-1

Applications

Food and Beverage, Pharmaceutical, Chemical and Petrochemical Industries, Nuclear Power Plants, Pumps, Hydro-cleaning machines, Presses, Engine Compressors, Turbines, Diesel Engines, Refrigerating Plants and Gaseous/Liquid media that will not obstruct the pressure system.



STANDARD VERSION

Nominal Size: 40mm
50mm
63mm
80mm

Accuracy class	1,6 (For NS 63 & NS 80 mm) & 2,5 (For NS 40 & 50 mm)
Ambient temperature	- 25°C to + 65°C
Process temperature	Max 180°C
Operating pressure	75 % of scale value
Over pressure limit	≤ 100 bar : 125% of Max. scale value > 100 to ≤ 600 bar : 115% of Max. scale value > 600 to ≤ 1600 bar : 110% of Max. scale value
Case & Bezel	AISI 304 SS (Rolling type) & Bayonet type for NS 80 mm
Socket	AISI 316 SS
Bourdon	AISI 316L SS
Movement	AISI 304 SS
Joints	Tig argon arc welding
Protection	IP 65
Dial	Aluminium, black graduation on white background
Pointer	Black coloured, fixed
Window	Plexi glass
Filling plug	Neoprene
Gasket	Neoprene / silicon rubber

DRY BUT FILLABLE VERSION

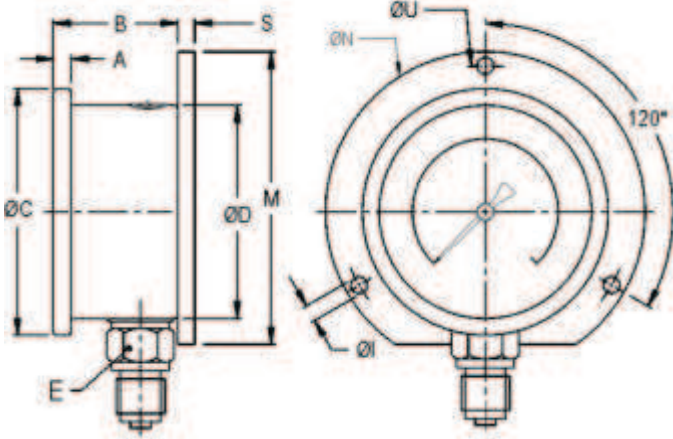
Fillable dampening liquid	Glycerine 98%
Process temperature	Maximum 65°C
Other features	Refer specification of standard version

GLYCERINE FILLED VERSION

Accuracy	1.6 (For NS 63 & Ns 80 mm) & 2.5 (For NS 40 & 50 mm)
Ambient temperature	Maximum 65°C
Process temperature	Maximum 65°C
Window	Plexi glass
Dampening liquids	Glycerine 98%
Other features	Refer specification of standard version

DIMENSIONS - STANDARD VERSION

TYPE 1

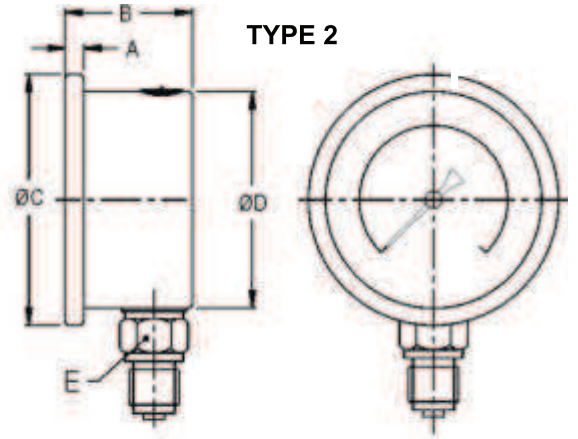


WALL/ SURFACE/ PROJECTION MOUNTING
WITH BOTTOM ENTRY

ROLLING TYPE (STANDARD)

NS	A	B	ØC	ØD	E	S	ØN	ØI	ØU	M	Weight in gram (With Box)
63	6.5	30.5	69	62.5	A/F 14	7	86	3.6	75	80	190.0

TYPE 2

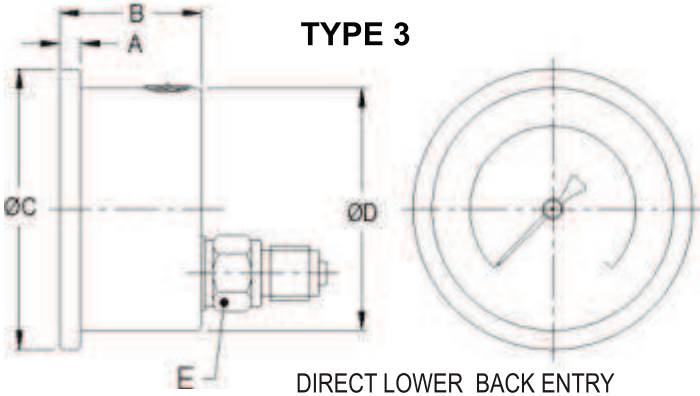


DIRECT BOTTOM ENTRY

ROLLING TYPE (STANDARD)

NS	A	B	ØC	ØD	E	Weight in gram (With Box)
40	5	29	45.5	41	A/F 14	90.0
50	5	29	57.5	51.5	A/F 14	125.0
63	6.5	30.5	69	62.5	A/F 14	140.0

TYPE 3

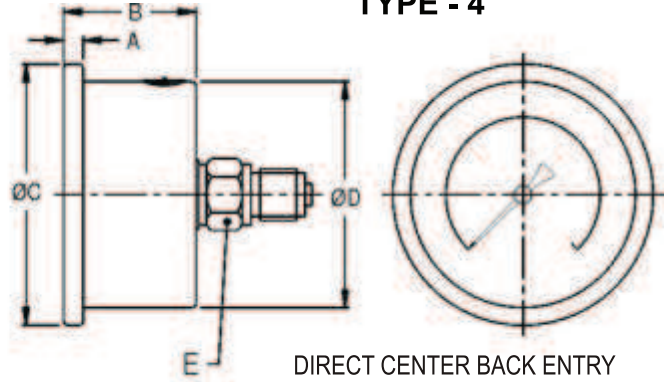


DIRECT LOWER BACK ENTRY

ROLLING TYPE (STANDARD)

NS	A	B	ØC	ØD	E	Weight in gram (With Box)
63	6.5	30.5	69	62.5	A/F 14	160.0

TYPE - 4

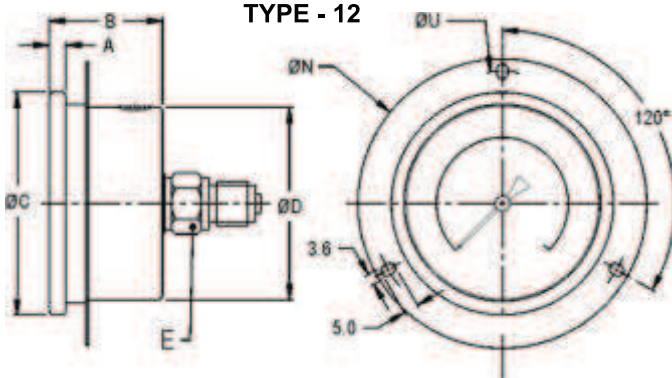


DIRECT CENTER BACK ENTRY

ROLLING TYPE (STANDARD)

NS	A	B	ØC	ØD	E	Weight in gram (With Box)
40	5	29	45.5	41	A/F 14	100.0
50	4.5	29	57.5	51.5	A/F 14	117.0
63	6.5	30.5	69	62.5	A/F 14	170.0

TYPE - 12

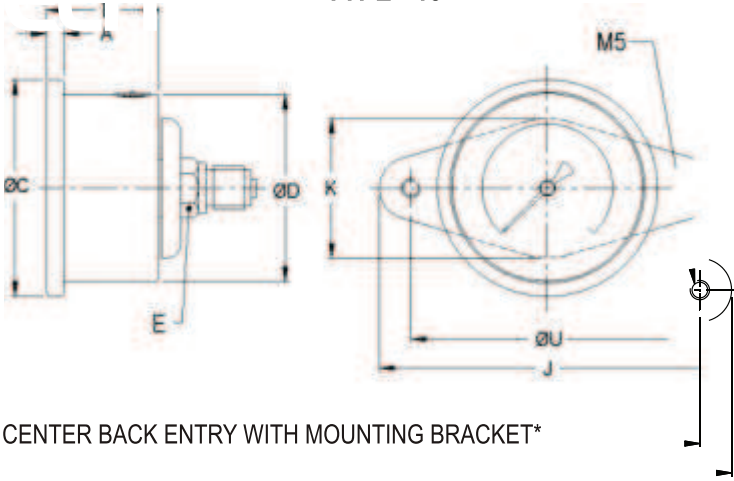


CENTER BACK ENTRY WITH FRONT FLANGE

ROLLING TYPE (STANDARD)

NS	A	B	ØC	ØD	E	ØN	ØU	Weight in gram (With Box)
63	6.5	30.5	69	62.5	A/F 14	86	75	220.0

TYPE - 13

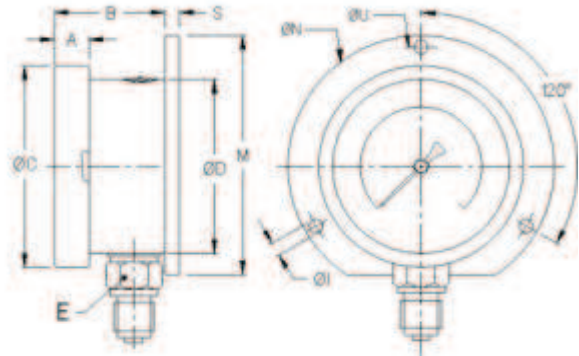


CENTER BACK ENTRY WITH MOUNTING BRACKET*

ROLLING TYPE (STANDARD)

NS	A	B	ØC	ØD	E	J	K	ØU	Weight in gram (With Box)
50	5	29	57	51.5	A/F 14	91	38	70.5	180.0
63	6.5	30.5	69	62.5	A/F 14	91	38	70.5	210.0

TYPE 1

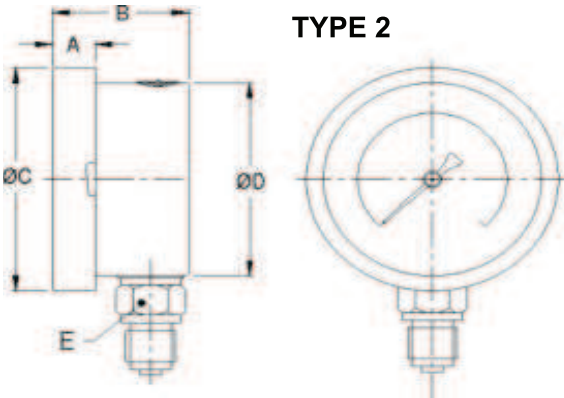


WALL/ SURFACE/ PROJECTION MOUNTING WITH BOTTOM ENTRY

BAYONET TYPE (OPTION - OS)

NS	A	B	ØC	ØD	E	S	ØN	ØI	ØU	M	Weight in gram (With Box)
63	10	32	69.5	62.5	A/F 14	7	86	3.6	75	80	215.0
80	11	35	89.5	80	A/F 14	4	110	5	94	95	300.0

TYPE 2

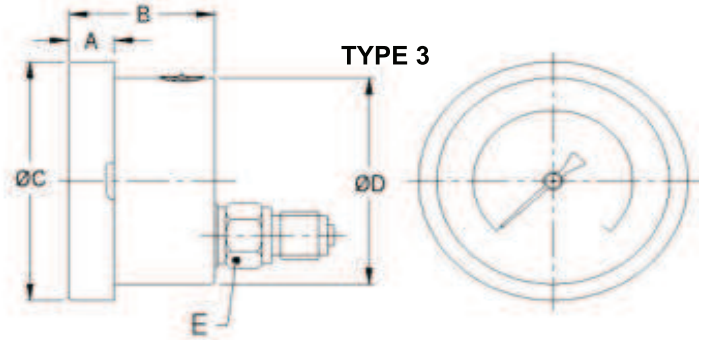


DIRECT BOTTOM ENTRY

BAYONET TYPE (OPTION - OS)

NS	A	B	ØC	ØD	E	Weight in gram (With Box)
50	10	32.5	58.5	51	A/F 14	153.0
63	10	31	69.5	62.5	A/F 14	180.0
80	11	35	89.5	80	A/F 14	250.0

TYPE 3

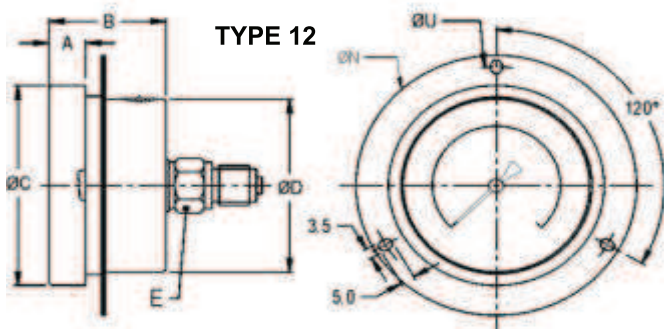


DIRECT LOWER BACK ENTRY

BAYONET TYPE (OPTION - OS)

NS	A	B	ØC	ØD	E	Weight in gram (With Box)
63	10	32	69.5	62.5	A/F 14	190.0

TYPE 12

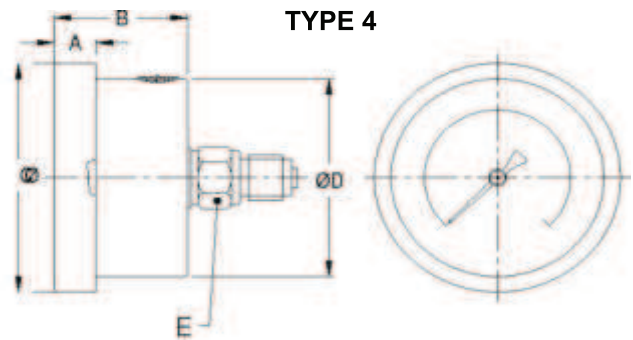


CENTER BACK ENTRY WITH FRONT FLANGE

BAYONET TYPE (OPTION - OS)

NS	A	B	ØC	ØD	E	ØN	ØU	Weight in gram (With Box)
63	10	32	69.5	62.5	A/F 14	86	75	213.0

TYPE 4



DIRECT CENTER BACK ENTRY

NS	A	B	ØC	ØD	E	Weight in gram (With Box)
50	10	32.5	58.5	51	A/F 14	170.0
63	10	32	69.5	62.5	A/F 14	188.0
80	11	35	89.5	80	A/F 14	240.0

NOMINAL SIZE

B	C	D	E
40 mm	50 mm	63 mm	80 mm

GAUGE CONNECTION

1/8" BSP(M)
1/8" NPT(M)
1/8" BSPT(M)
1/4" BSP(M)
1/4" NPT(M)
1/4" BSPT(M)
3/8" BSP(M)
3/8" NPT(M)
3/8" BSPT(M)
1/2" BSP(M)
1/2" NPT(M)
1/2" BSPT(M)

Note : Connections like Metric/ PT/ PF/ Flaired/ UNF/ G/ R etc. can be provided on request.

* Consult factory for minimum order quantity, price & delivery.

RANGE

REFER RANGE TABLE

OPTIONAL EXTRAS

CUSTOM DESIGNED DIAL	SS TAG PLATE
OXYGEN SERVICE (FOR DRY VERSION)	HELIUM LEAK TEST
AISI 316 SS CASE & BEZEL*#	INTEGRAL DAMPENING SCREW (AISI 316 SS)
CASE WITH BAYONET TYPE BEZEL**	FREON RANGE (WITH TEMPERATURE SCALE)
FIVE POINT CALIBRATION CERTIFICATE	MAXIMUM READING POINTER WITH PLEXI GLASS (FOR DRY VERSION)*
FILLABLE LIQUID GLYCERINE	SHATTERPROOF / SAFETY GLASS (FOR BAYONET TYPE DESIGN)*#
FILLABLE LIQUID SILICON OIL***	TOUGHENED GLASS (FOR BAYONET TYPE DESIGN)*#
DAMPENING LIQUID GLYCERINE FILLED	ENCLOSURE PROTECTION IP 66
DAMPENING LIQUID SILICON OIL FILLED***	ENCLOSURE PROTECTION IP 67
25 MM BOD (EXCEPT MOUNTING 4, 12 & 13)*	CALIBRATION CERTIFICATE TRACEABLE TO NATIONAL/ INTERNATIONAL STANDARDS
MATERIAL TEST CERTIFICATES****	MOVEMENT WITH DAMPENING JELLY*#
WELDED SOCKET TO THE CASE	

* Applicable for NS 63 mm . # Applicable for NS 80 mm . ** Applicable for NS 50 mm & 63 mm. *** Gasket & Filling plug of NBR. Consult factory for Viton.

FOR OTHER OPTIONAL ITEMS, PLEASE CONTACT FACTORY FOR DELIVERY AND MINIMUM QUANTITY OF ORDER.