

# All Stainless Steel Pressure Gauge

Electric Contact Type (High Case Version)

TP27  
ECU

## Special Features

CE Approved Electrical Contacts.  
Stainless Steel Case & Measuring System.  
Filled Version Available.  
Standard followed in General EN 837-1.

## Applications

To Control the Electrical Operation of Compressors, Pumps, Motors, Presses, Hydraulic & Pneumatic Equipments, Chemical & Petrochemical Plants.



## STANDARD VERSION

Nominal Size: 100mm

Scale Ranges: 0...1,0 to 0...1600 bar or other equivalent unit of pressure or vacuum.

Accuracy Class	1.0
Ambient Temperature	-20°C to + 65°C
Process Temperature	Max. 100°C
Electrical Wiring	DIN Connector
Contact Setting	Over on arc of 270° through knob placed on front of lens
Operating Pressure Range	75% of scale value
Over Pressure Limit	Not suitable
Case & Bezel	AISI 304 SS (Bayonet Type)
Bourdon	AISI 316L SS
Socket	AISI 316L SS (Directly welded to case)
Movement	AISI 304 SS
Joints	Tip argon arc welding
Protection	IP65
Dial	Aluminium, black gradutation on white background
Pointer	Aluminium, black coloured fixed
Window	Plexi Glass
Contact	Silver-nickel
Blow off disc	Neoprene
Gasket & filling plug	Neoprene

## Filled Version

Accuracy Class	1.6
Ambient Temperature	Maximum 65°C
Process Temperature	+15°C / 100°C
Window	Plexi Glass
Blow off disc	NBR
Gasket & filling plug	NBR
Dampening Liquids	Dielectric Oil
Other Features	Refer specification of standard version

\*BOD, Gasket & Filling plug of NBR. Consult factory for Viton.

Note : The addition of mechanical electric contacts affects the accuracy of instruments such that 1% becomes 1.5%, 1.6% becomes 2.4% etc. (Add the 50% of accuracy; If the contact is of the magnetically assisted type, this value can't be added within the  $\pm 5\%$  of setting point.)

**TAG**  
Technology UK Ltd

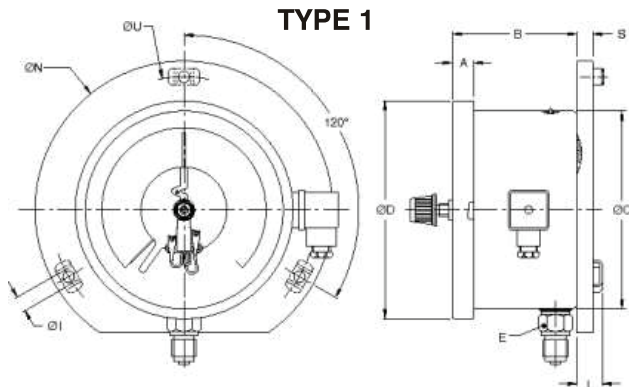
**TAG TECHNOLOGY UK LTD**  
Instrument House PO Box 757 Altrincham  
Cheshire UK WA15 5BT

T: +44 (0)161 652 7741

E: sales@tagtechnology.co.uk

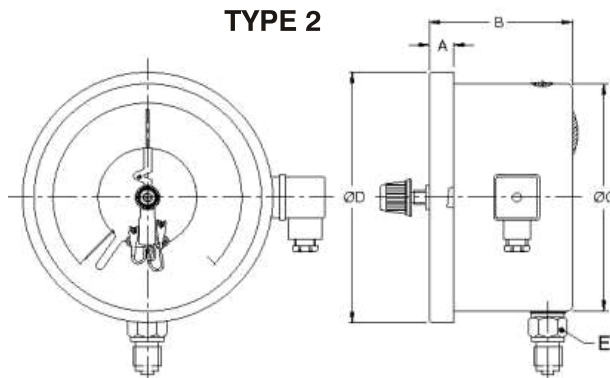
W: www.tagtechnology.co.uk

## DIMENSIONS - STANDARD VERSION



WALL, SURFACE, PROJECTION MOUNTING WITH BOTTOM ENTRY

NS	A	B	ØC	ØD	E	ØI	ØN	ØU	L	S	Weight in gram (With Box)
100	12.5	90	100	111	A/F 22	6	134	118	15	6	920.0

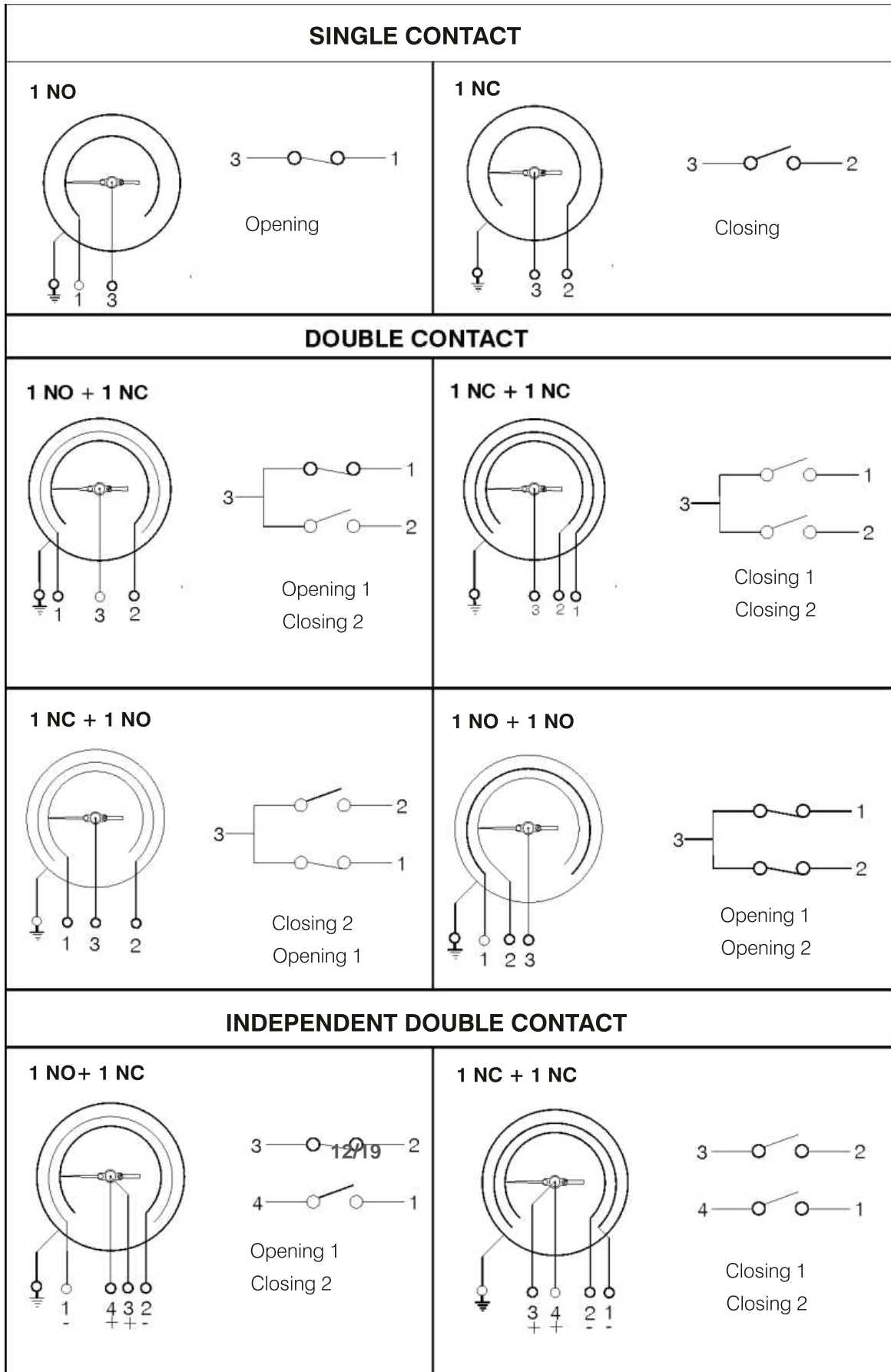


DIRECT BOTTOM ENTRY

NS	A	B	ØC	ØD	E	Weight in gram (With Box)
100	12.5	90	100	111	A/F 22	840.0

Notes : • Drawings are not to scale. • All Dimensions are in mm. • NS = Nominal Size.

# WIRING DIAGRAMS FOR ELECTRIC CONTACTS



**NOMINAL SIZE**

**F**  
100 mm

**ELECTRIC CONTACTS (C € APPROVED)****A) SINGLE INSULATED MAGNETIC SNAP ACTION TYPE\*  
(230 V AC, 1 Amp.)(48 V DC, 0.5 Amp.)**

Single; NORMALLY CLOSED (1 NC)  
 Double; NORMALLY CLOSED + NORMALLY OPEN (1 NC +1 NO)  
 Single; NORMALLY OPEN (1 NO)  
 Double; NORMALLY OPEN + NORMALLY CLOSED (1 NO + 1 NC)  
 Double; NORMALLY CLOSED (BOTH NC)  
 Double; NORMALLY OPEN (BOTH NO)  
 BOOSTER WITH RELAY FOR CURRENT UPTO 5 Amp.  
 SPDT  
 DPDT

**B) INDUCTIVE TYPE (220 V AC, 0.4 Amp.)**

Single; NORMALLY OPEN (1 NO)  
 Single; NORMALLY CLOSED (1 NC)  
 Double; NORMALLY CLOSED + NORMALLY OPEN  
 (1 NC +1 NO)  
 Double; NORMALLY OPEN (BOTH NO)  
 Double; NORMALLY CLOSED (BOTH NC)  
 Double; NORMALLY OPEN + NORMALLY CLOSED  
 (1 NO + 1 NC)

\* FOR DOUBLE INSULATED ELECTRICAL CONTACTS, CONSULT FACTORY FOR PRICE & DELIVERY.

**GAUGE CONNECTION**

3/8" BSP (M) STANDARD	1/4" NPT (M)	1/2" BSPT (M)
1/2" BSP (M) STANDARD	1/2" NPT (M) STANDARD	M20 x 1.5 (M)

**Note :** Connections like Metric/ PT/ PF/ Flaired/ UNF/ G/ R etc can be provided on request.

**OPTIONS**

MONEL BOURDON & SOCKET (MONEL VERSION)\*\*  
 AISI 316 SS CASE & BEZEL\*  
 FIVE POINT CALIBRATION CERTIFICATE      **12/19**  
 DIELECTRIC OIL FILLED  
 SS TAG PLATE  
 DIAL TAG MARKING  
 HELIUM LEAK TEST  
 SHATTERPROOF / SAFETY GLASS

TESTED TO NACE STANDARDS  
 CUSTOM DESIGNED DIAL  
 INTEGRAL DAMPENING SCREW (AISI 316 SS)  
 INTEGRAL DAMPENING SCREW (MONEL)\*\*  
 INTERNAL OVERPRESSURE STOP  
 INTERNAL VACUUM STOP  
 MOVEMENT WITH DAMPENING JELLY  
 MATERIAL TEST CERTIFICATES\*\*\*

\* CONSULT FACTORY FOR MINIMUM ORDER QUANTITY & DELIVERY.

\*\*INTEGRAL DAMPENING SCREW WILL BE IN MONEL IF ORDERED. REFER OPTION FL.

\*\*\* MATERIAL TEST CERTIFICATES WILL BE PROVIDED FOR WETTED PARTS ONLY WITH CHEMICAL COMPOSITION TESTING. FOR OTHERS, PLEASE CONSULT FACTORY.

**FOR OTHER OPTIONAL ITEMS, PLEASE CONTACT FACTORY FOR DELIVERY AND MINIMUM QUANTITY OF ORDER.**